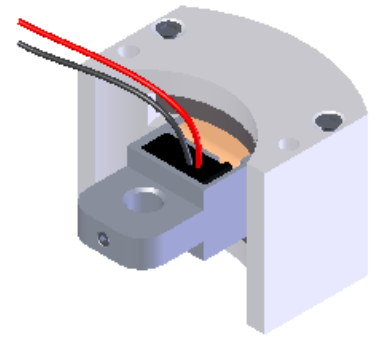
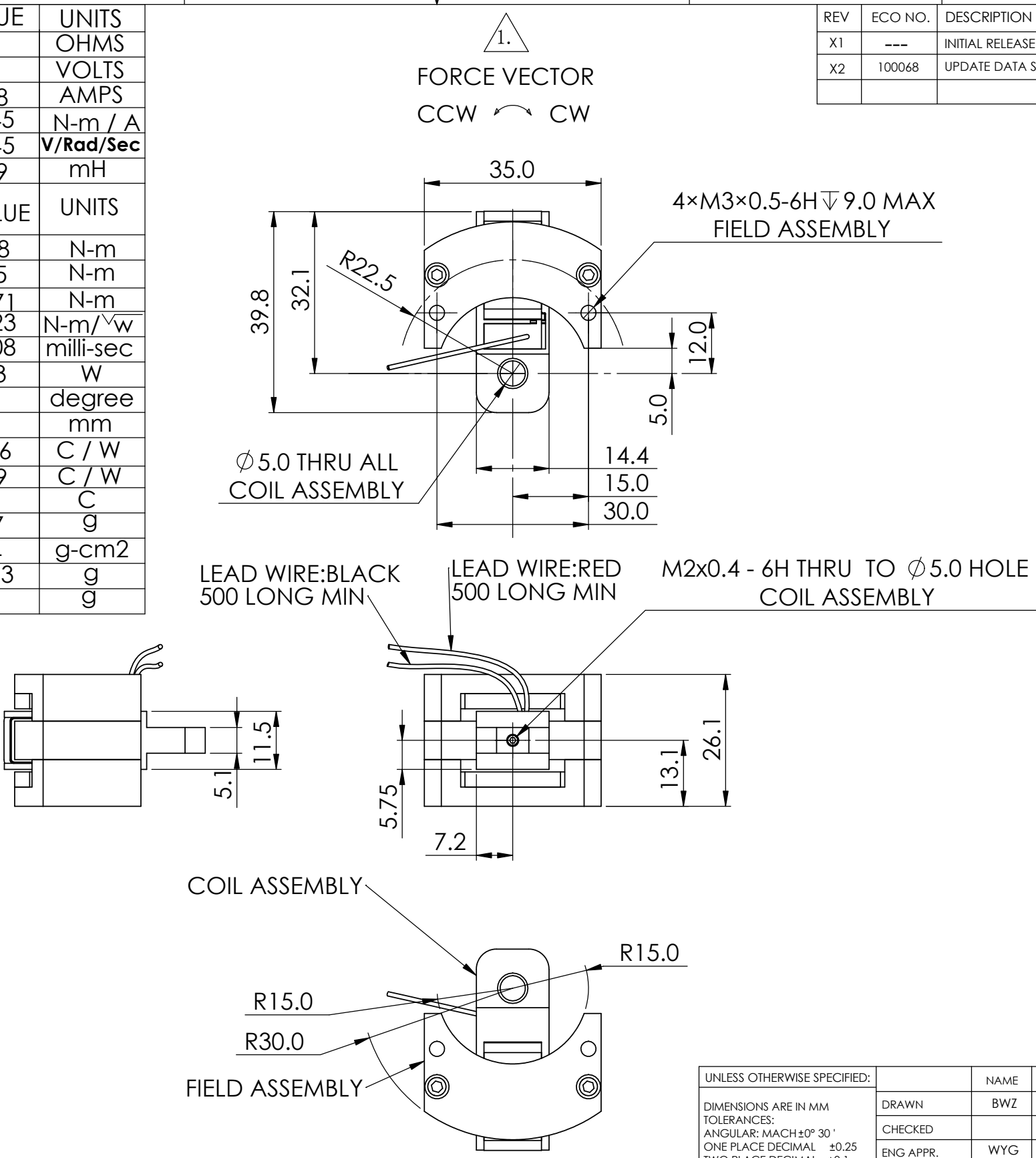


WINDING CONSTANT	TOL	SYM	VALUE	UNITS
DC RESISTANCE	+ 10%	R	3.6	OHMS
VOLTAGE @ Fp	NOMINAL	Vp	6.4	VOLTS
CURRENT @ Fp	NOMINAL	Ip	1.78	AMPS
TORQUE SENSITIVITY	+ 7.5%	Kt	0.045	N-m / A
BACK EMF CONSTANT	NOMINAL	Kb	0.045	V/Rad/Sec
INDUCTANCE *****	+ 30%	L	0.39	mH

ACTUATOR PARAMETER	SYM	VALUE	UNITS
PEAK TORQUE *	Fp	0.08	N-m
CONTINUOUS STALL TORQUE **	Tcs	0.05	N-m
CONTINUOUS TORQUE WITH HEAT SINK	Tcs	0.071	N-m
ACTUATOR CONSTANT	Ka	0.023	N-m/√w
ELECT TIME CONSTANT	Te	0.108	milli-sec
POWER I ² R@Fp	Pp	11.3	W
TOTAL STROKE(ANGULAR)	S	26	degree
CLEARANCE ON SIDE OF COIL	CL	0.5	mm
THERMAL RESISTANCE ***	θth	27.6	C / W
THERMAL RESISTANCE WITH HEAT SINK****	θth	13.9	C / W
MAX WINDING TEMP	Tmax	150	C
WEIGHT OF COIL ASSEMBLY	WTc	11.7	g
INERTIA OF COIL ASSEMBLY	Ic	10.4	g-cm ²
WEIGHT OF FIELD ASSEMBLY	WTF	104.3	g
WEIGHT OF ACTUATOR	WTa	116	g

* 10 sec @ 25C ambient, 150C coil temp.
 ** 25C ambient, 150C coil temp.
 *** In free air.
 **** Measured with 250×250×10mm heat sink.
 ***** Measured with BK PRECISION 875B.



REV	ECO NO.	DESCRIPTION	DRN	APP'D	Q.A	DATE
X1	---	INITIAL RELEASE	BWZ	WYG	LBQ	07-04-24
X2	100068	UPDATE DATA SHEET	BWZ	WYG	LBQ	07-07-05

UNLESS OTHERWISE SPECIFIED:		NAME	DATE
DRAWN		BWZ	07-04-24
CHECKED			
ENG APPR.		WYG	07-04-24
MFG APPR.			
Q.A.		LBQ	07-04-24
COMMENTS:			

usas motion Suzhou, China

TITLE:
ROTARY ACTUATOR

SIZE	DWG. NO.	REV
B	VRS0008-026-00A	X2

SCALE: 1: 1 SHEET 1 OF 1

2.INSULATION RESISANCE:100 MEGOHMS MINIMUM AT 500 VDC.

1. A POSITIVE(+) VOLTAGE APPLIED TO THE RED LEAD WILL PRODUCE A FORCE ON THE COIL ASSEMBLY IN CLOCKWISE(CW) DIRECTION.

NOTES:UNLESS OTHERWISE SPECIFIED

PROPRIETARY AND CONFIDENTIAL
 THE INFORMATION CONTAINED IN THIS DRAWING IS THE SOLE PROPERTY OF USAS MOTION - SUZHOU, CHINA. ANY REPRODUCTION IN PART OR AS A WHOLE WITHOUT THE WRITTEN PERMISSION OF USAS MOTION - SUZHOU, CHINA IS PROHIBITED.

ANSI Y14.5M-1982.

DO NOT SCALE DRAWING